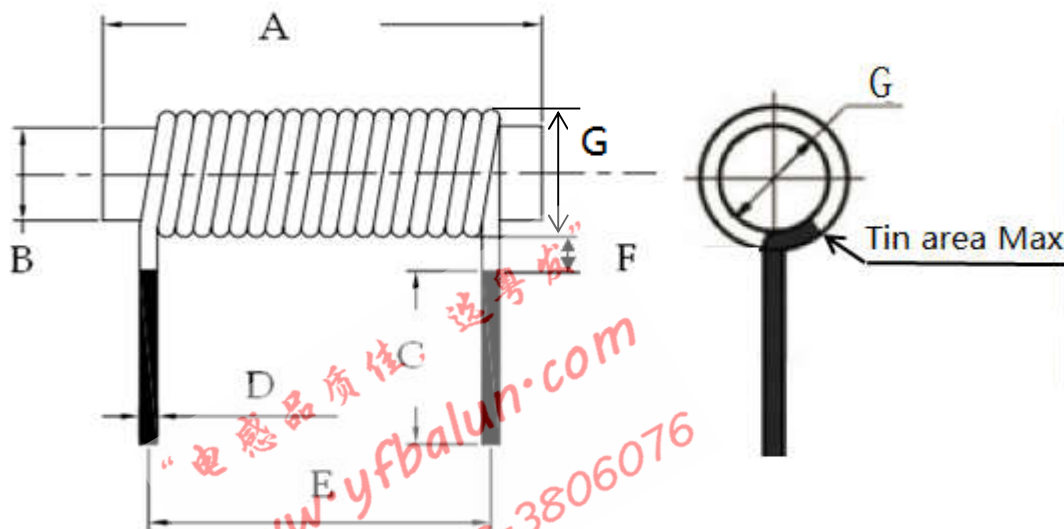


SPECIFICATION FOR APPROVAL

Product Name	Rod inductor coils	Part Number	R06CC0620-1R0-150
---------------------	--------------------	--------------------	-------------------

1、 DIMENSION DIAGRAM (Unit: mm)



A:20.0±1.0 B:6.0±0.2 C:8.00 Min D:1.5±0.05 E:13.5±1.0 F:1.50 Max G:10.0 Max

2、 ELECTRICAL STRUCTURE



3、 ELECTRICAL CHARACTERISTICS:

TURNS : 8.0TS(FIXED)
 TEST FREQUENCY : 1KHz/0.3V(TH2776B)
 INDUCTANCE : 1.0uH(±20%)
 RDC : 10.0mΩ(Max)
 IDC : 10.0A(Max)

DRAW BY

yang lin

CHECKED BY

ye jun

APPROVED BY

deng gao